

FIRE VALVE ANGLE BRONZE FLANGED DIN PN 16

Material bronze CC491K; DIN RG5
 Pressure PN 16

TECHNICAL DESCRIPTION

Fire valve, angle, bronze with soft sealing.
 Used in fire systems operating with fresh and sea water,
 installed in a set with a Storz type fire hose coupling.

WORKING FLUID / MEDIUM

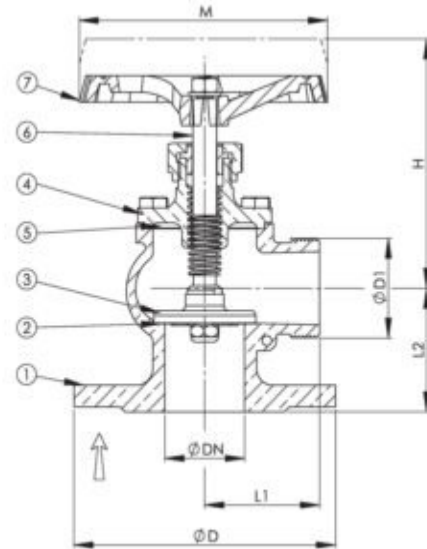
- Sea water
- Fresh water

ANNEX

- In fire systems

Maximum operating temperature 80 °C Connection -
 Standard for hose with Storz coupling

Dimensions: DN-40-65



| No. | DETAILS | MATERIALS |
|-----|-----------------|-----------------------|
| 1 | Body | bronze CC491K (RG5) |
| 2 | Bracelet solid. | NBR rubber |
| 3 | Valve | brass CW710R (SoMs59) |
| 4 | Lid | bronze CC491K (RG5) |
| 5 | Garnish | rubber-reinforced |
| 6 | Spindle | brass CW710R (SoMs59) |
| 7 | Handwheel | bronze CC491K (RG5) |

| SPECIFICATION | |
|---------------|--------------------------------------|
| Standard | DIN |
| Execution | angled 90° |
| Joining | flanged |
| Management | Manual / manual with wheel |
| Drive | multi-turn |
| T max. °C | NBR seat max. 80°C / EPDM seat 110°C |

FIRE VALVE ANGLE BRONZE FLANGED DIN PN 16

Material bronze CC491K; DIN RG5

Pressure PN 16

| DN | PN | Flanges | D | D1 | L1 | L2 | H | M | Weight (kg) |
|----|----|---------|-----|----------|----|----|-----|-----|-------------|
| 40 | 16 | PN 16 | 150 | G 1 1/2" | 65 | 70 | 150 | 140 | 4.3 |
| 50 | 16 | PN 16 | 165 | G 2" | 73 | 75 | 150 | 140 | 5.3 |
| 65 | 16 | PN 16 | 185 | G 2 1/2" | 95 | 90 | 165 | 160 | 9.5 |